

PRODUCT DATA SHEET

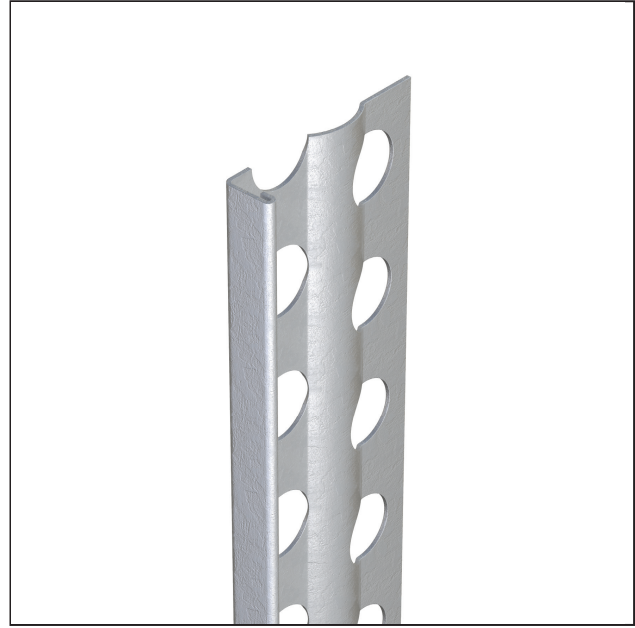
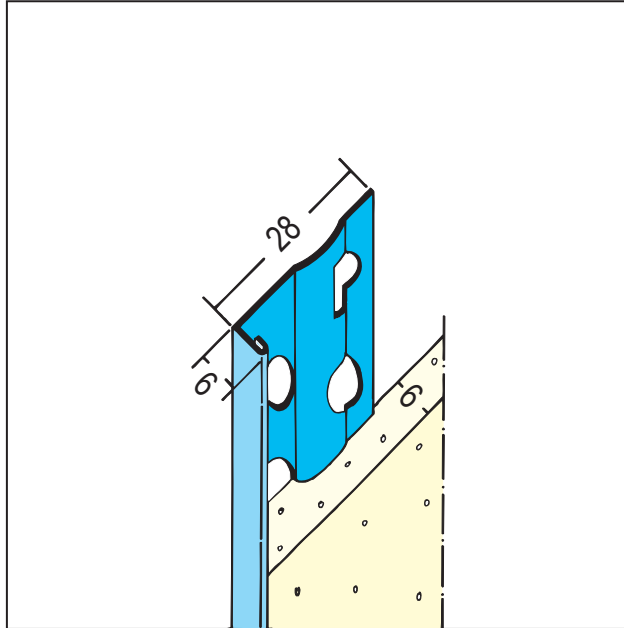
Stop profile for interior plaster

6 mm

Item no. 1216



Status: 11.10.2024 | 01:10



Designation	Stop profile for interior plaster 6 mm
Description	PROTEKTOR Plaster stop profile made of galvanized steel for interior plaster of 6 mm and thicker.
Product area	Internal plastering
Product category	Plaster/render stops
Types of mortar	Silicate plaster, Insulating plaster, Deposits cleaning, Gypsum mortars and mortars containing gypsum, Gypsum plaster, Lime plaster, Lime cement plaster
Plaster thickness	6 mm
Material	Galvanised steel
Standard EN	EN 13658-1
Galvanizing	Z 275
Product length	250 cm; 260 cm; 270 cm; 300 cm
Reaction to fire (R2F)	A1
Packaging Unit	25 PCS / 150 BUN
Leaflet	* Leaflet Planning and Application of Metallic Plaster Profiles; Publisher: European Trade Association Europrofiles, www.europrofiles.com * Leaflet Planning and Application of Metallic Plaster Profiles; Publisher: European Trade Association Europrofiles, www.europrofiles.com * Leaflet Winter Construction Sites; Publisher: Bundesverband der Gipsindustrie e.V., www.gips.de

This product data sheet corresponds to the current state of development of our products and loses its validity upon publication of a new edition. Make sure you are using the latest edition of this information. Warranty and liability are based on delivery according to our general Terms and conditions. Please observe the application assembly and storage guidelines.

All statements without guarantee. Reserve technical changes. Product illustrations may differ from the delivery product. Tender specifications, installation instructions and performance declarations (if required by law) can be found on our homepage. Please respect the environment for a proper disposal!