

# PRODUCT DATA SHEET

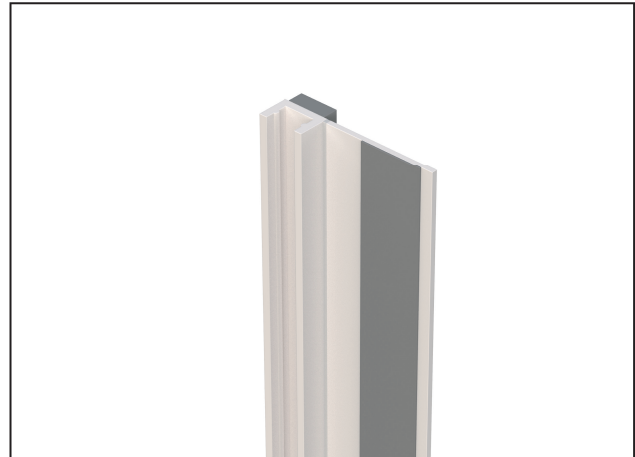
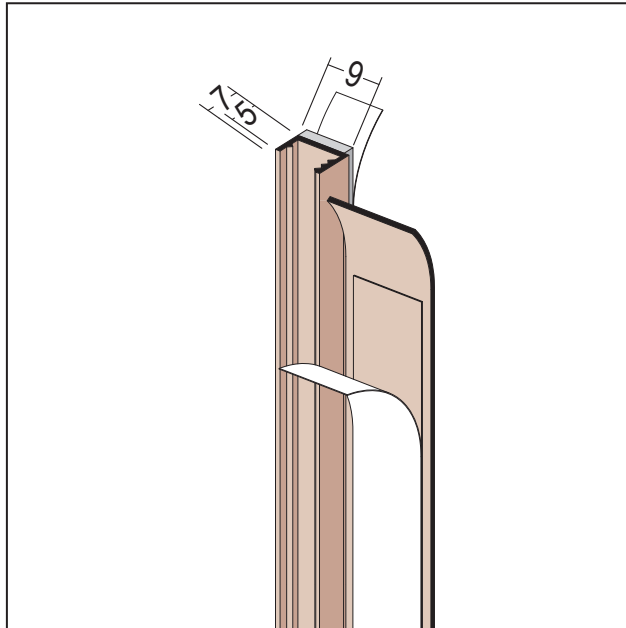
Frameseal bead with shadow gap

9 mm

Item no. 37104



Status: 04.02.2025 | 11:02



<b>Designation</b>	Frameseal bead with shadow gap 9 mm
<b>Description</b>	PROTEKTOR Self-adhesive, white PVC window frame sealing bead, for interior and exterior plasters, including shadow joint and detachable adhesive tab for coverage foil. Test-certified resistance to air, wind and heavy rain. Creates visually and technically perfect soffit connections. Window frame sealing beads cannot be extended by striking. Can be applied to substrates with a lightness coefficient greater than 20.
<b>Product area</b>	Internal plastering   External rendering
<b>Product category</b>	Soffit profiles
<b>Plaster thickness</b>	9 mm
<b>Material</b>	Hard PVC
<b>Product length</b>	260 cm
<b>Product width</b>	9 mm
<b>Air and component temperature</b>	+5° bis +40°C
<b>Productcolor</b>	10, white
<b>Appearance</b>	Self-adhesive, closed-cell foam tape.
<b>Underground</b>	Bonding areas must be even, dry (note possible condensation), free of frost, dust, grease, solid and load-bearing. An adhesive test indicates whether the substrate is suitable for bonding or whether special measures (e.g. cleaning) are required.
<b>Treatment</b>	Maximum installation length of 260 cm due to possible linear expansion. For underground with lightness value greater than 20.
<b>Packaging Unit</b>	60 PCS / 36 BOX
<b>Storage</b>	Store profiles dry, frost-free, horizontally and flat in the box. Do not store or transport profiles which are twisted or bent. Protect cartons and/or profiles from excessive heat and direct sunlight. To remove the profiles, open the carton over its entire length.
<b>Impermeability to driving rain</b>	bis 1050 Pa
<b>Movement according to VDPM leaflet/SAF guideline</b>	Klasse D
<b>product line</b>	Standard
<b>Test report</b>	Geprüfte Luft-, Wind- und Schlagregendichtheit. Die jeweils aktuellen Prüfberichte stehen auf <a href="http://www.protektor.de">www.protektor.de</a> zum Download bereit.

# PRODUCT DATA SHEET

Frameseal bead with shadow gap

9 mm

Item no. 37104



<b>Leaflet</b>	* Leaflet * Fiche technique Formation de détails avec des profilés et des bandes d'étanchéité de joints pour l'enduit extérieur et l'ETICS, éditeur Verband für Dämmsysteme, Putz und Mörtel e.V. (VDPM). * Guideline for connections to windows and shutters in plaster, thermal insulation composite system and dry construction, published by the Baden-Württemberg Association of Plasterers for Interiors and Facades (SAF).
<b>connection joint</b>	Shadow gap
<b>Shadow gap</b>	2 mm

This product data sheet corresponds to the current state of development of our products and loses its validity upon publication of a new edition. Make sure you are using the latest edition of this information. Warranty and liability are based on delivery according to our general Terms and conditions. Please observe the application assembly and storage guidelines.

All statements without guarantee. Reserve technical changes. Product illustrations may differ from the delivery product. Tender specifications, installation instructions and performance declarations (if required by law) can be found on our homepage. Please respect the environment for a proper disposal!